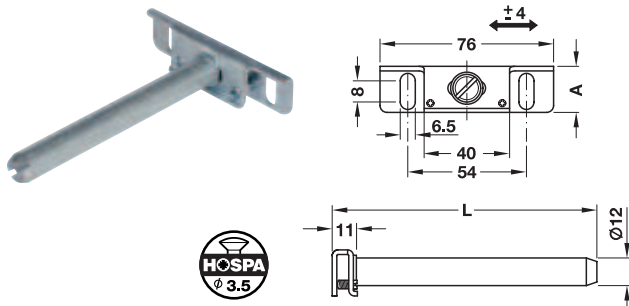


### Shelf support

For concealed installation,  
with screw-on plate and side adjustment

2

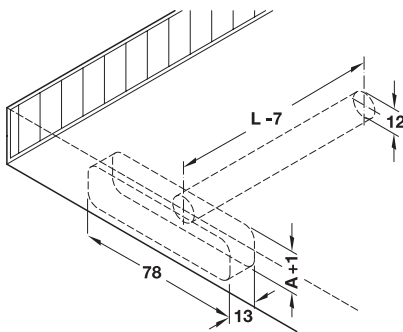


- Material: Steel
- Finish: Galvanized
- Version: With screw-on plate
- Load bearing capacity: 50 – 180 kg/m<sup>2</sup>
- Adjustment facility: Inclination adjustment: Via adjusting screws, height adjustment: Via slots in screw-on plate
- Installation: For screw fixing and mounting in drilled hole (concealed fixing in wooden cabinet or masonry wall with wall plug)

#### Load bearing capacity (with shelf support spacing = max. 700 mm and evenly distributed load)

Shelf depth mm	max. load bearing capacity kg/m <sup>2</sup>
175	180
200	160
225	130
250	100
275	80
300	50

#### Drilling and routing dimensions in shelf

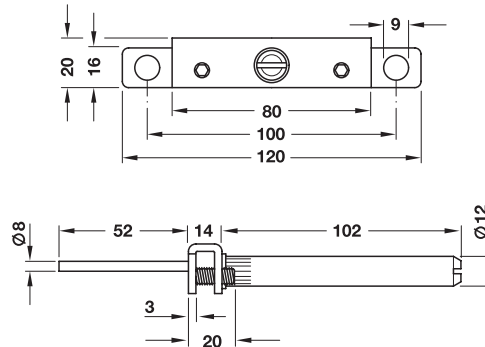


Dim. A mm	Length L mm	Cat. No.
19.0	110	283.33.930
15.5	100	283.33.931

Packing: 1 or 20 pieces

### Shelf support

For concealed installation,  
with screw-on plate and supporting pin

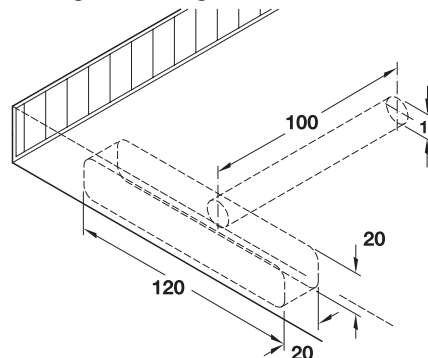


- Material: Steel
- Finish: Galvanized
- Version: With screw-on plate and supporting pin
- For shelf thickness: min. 24 mm
- For shelf depth: max. 300 mm
- Load bearing capacity: 50 – 180 kg/m<sup>2</sup>
- Adjustment facility: Inclination adjustment: Via adjusting screws
- Installation: For screw fixing and mounting in drilled hole (concealed fixing in wooden cabinets or masonry walls with wall plug)

#### Load bearing capacity (with shelf support spacing = max. 700 mm and evenly distributed load)

Shelf depth mm	max. load bearing capacity kg/m <sup>2</sup>
200	100
250	75
300	50

#### Drilling and routing dimensions in shelf



For shelf thickness mm	Adjustment facility	Cat. No.
min. 24	±2	283.33.940

Packing: 20 pieces